

C2N-CAMIDJ

Digital Joystick Camera Controller

The C2N-CAMIDJ is a professional joystick controller designed to provide a powerful yet simple user interface for the remote operation of networked cameras and lenses. Whether operating a single motorized camera in a council chamber or house of worship, or controlling a campus-wide network of multi-camera classrooms, the C2N-CAMIDJ can be used alone or in combination with a touchpanel to provide the perfect head end for camera control networks of virtually any size.

Ideally designed to support Crestron's C2N-CAMIDSPT Digital Servo Pan/Tilt Head, it is equally well equipped to work with third-party pan/tilt heads and integrated PTZ cameras as part of a complete Crestron control system.

Three-Axis Joystick

Precise camera positioning and zoom lens adjustment are facilitated through an ergonomic 3-axis joystick with large grip and cushioned wrist rest. Intuitive left/right and up/down movement of the joystick delivers effortless pan and tilt control, with zoom in/out capability instantly at hand through a simple twist of the joystick handle. Integrated thumb trigger buttons on top of the joystick afford immediate selection between high and low speeds to ensure smooth and accurate positioning on the fly.

Multipurpose Encoder Wheel

The C2N-CAMIDJ's encoder wheel provides for quick adjustment of lens focus and aperture settings as well as pan, tilt, and zoom speeds. The status for each parameter is displayed on a two-digit LED display.

User-definable Buttons

Twelve (12) pushbuttons and feedback LED's are included to facilitate camera selection, preset recall, and other custom functions. Customizable label strips are provided to easily designate the function of each button using Crestron Engraver software.

Cresnet® Network Control

Designed for use with the 2-Series control system, the C2N-CAMIDJ takes full advantage of the steadfast Cresnet control network to support up to 252 Crestron pan/tilt heads, camera controllers, touchpanels, and other devices. When controlling the C2N-CAMIDSPT pan/tilt head, network traffic is minimized by storing user presets directly onboard the pan/tilt head, minimizing the need for reporting position data to the control system. Virtually any number of third-party pan/tilt heads and cameras may also be controlled through the control system using the C2N-CAMIDJ.

Ethernet connectivity can easily be attained through the control system, enabling control over existing infrastructure from any remote distance.

- > *Tactile Pan-Tilt-Zoom Camera and Lens Control*
- > *Ergonomic 3-axis Joystick - Twist the Knob to Zoom In and Out*
- > *Integral Thumb Triggers for High/Low Speed Selection*
- > *Encoder Wheel and LED Display for Lens and Speed Adjustment*
- > *Programmable Buttons w/LED Feedback for Camera/Preset*



> *Cresnet Network Communication*

> *Ideal For Controlling C2N-CAMIDSPT Digital Servo Pan/Tilt Heads*

SPECIFICATIONS

Joystick

3-axis Hall Effect joystick - pan left/right, tilt up/down, and twist to zoom; Includes (2) thumb triggers for high/low speed mode selection

Encoder Wheel

Side mounted continuous turn optical encoder - adjusts lens focus (default) and aperture (manual iris mode); adjusts speed scale factor for pan, tilt, and zoom

LED Display

(2) 7-Segment digits, green; displays speed and lens settings

Buttons

FOCUS, ZOOM, PAN, TILT: (4) Pushbuttons w/LED feedback, used to select parameters for adjustment

IRIS AUTO/MANUAL: (2) Pushbuttons w/LED feedback, select manual or auto-iris mode

CAMERA/PRESET: (12) Pushbuttons w/LED feedback, programmable for any function

SETUP (rear): Used for touch-settable ID (TSID)

LED Indicators

SPEED HIGH/LOW: (2 red) Indicates current joystick speed mode

PWR: (green) Indicates 24 Volts DC power supplied from Cresnet control network

NET: (yellow) Indicates communication with Cresnet system

SETUP (rear): (red) Indicates TSID and download activity

C2N-CAMIDJ Digital Joystick Camera Controller

Connectors

NET: 4-pin 5mm detachable terminal block;
Cresnet slave port, connects to Cresnet control network

Power Requirements

Cresnet Power Usage: 4 Watts (0.17 Amps @ 24 Volts DC)

Environmental

Temperature: 41° to 113°F (5° to 45°C)
Humidity: 10% to 90% RH (non-condensing)

Enclosure

Black/silver metal, tabletop console with integral wrist-rest

Dimensions

Height: 5.33 in (13.54 cm)
Width: 9.44 in (23.98 cm)
Depth: 7.71 in (19.58 cm)

Weight

3.2 lb (4.5 kg)

Available Models

C2N-CAMIDJ: Digital Joystick Camera Controller

Available Accessories

CRESNET-HP-NP-TL-SP1000: Cresnet® "High-Power" Control Cable, non-plenum, teal, 1000 ft spool

CRESNET-HP-NP-TL-SP500: Cresnet® "High-Power" Control Cable, non-plenum, teal, 500 ft spool

CRESNET-NP-BK-B500: Cresnet® Control Cable, non-plenum, black, 500 ft box

CRESNET-NP-OR-B500: Cresnet® Control Cable, non-plenum, orange, 500 ft box

CRESNET-NP-TL-B250: Cresnet® Control Cable, non-plenum, teal, 250 ft box

CRESNET-NP-TL-B500: Cresnet® Control Cable, non-plenum, teal, 500 ft box

CRESNET-NP-TL-SP1000: Cresnet® Control Cable, non-plenum, teal, 1000 ft spool

CRESNET-NP-TL-SP500: Cresnet® Control Cable, non-plenum, teal, 500 ft spool

CRESNET-NP-YL-B500: Cresnet® Control Cable, non-plenum, yellow, 500 ft box

CRESNET-P-BK-SP500: Cresnet® Control Cable, plenum, black, 500 ft spool

CRESNET-P-OR-SP500: Cresnet® Control Cable, plenum, orange, 500 ft spool

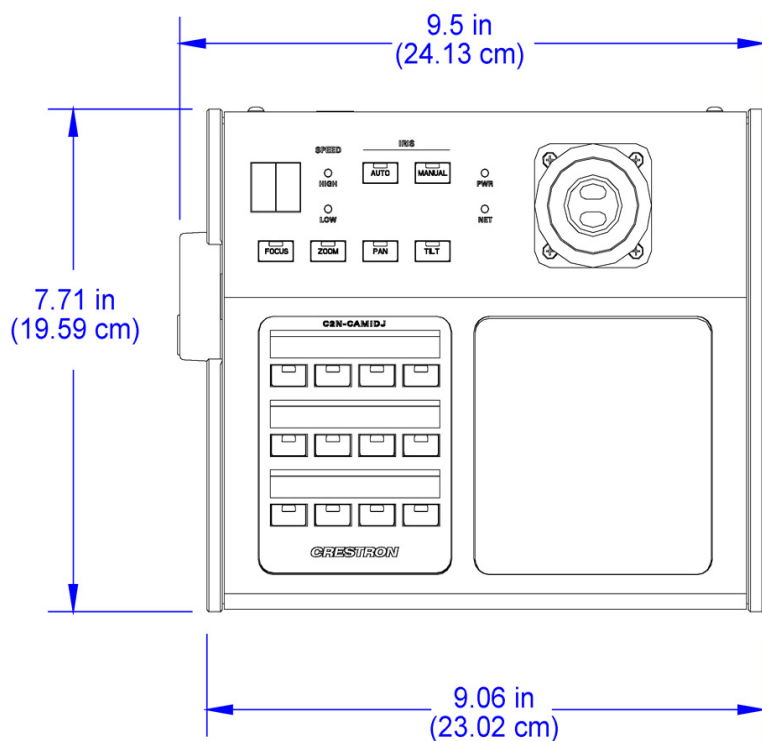
CRESNET-P-TL-SP1000: Cresnet® Control Cable, plenum, teal, 1000 ft spool

CRESNET-P-TL-SP500: Cresnet® Control Cable, plenum, teal, 500 ft spool

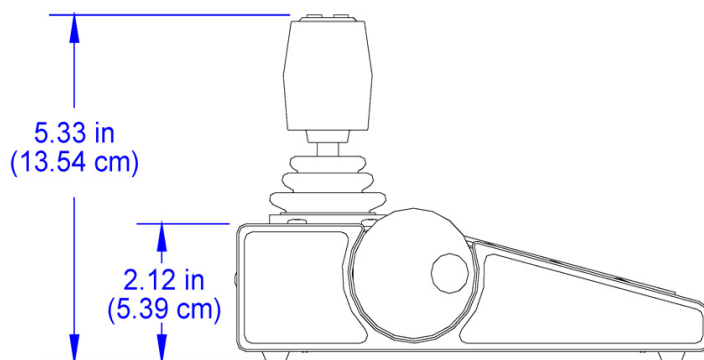
CRESNET-P-YL-SP500: Cresnet® Control Cable, plenum, yellow, 500 ft spool

C2N-CAMIDJ Digital Joystick Camera Controller

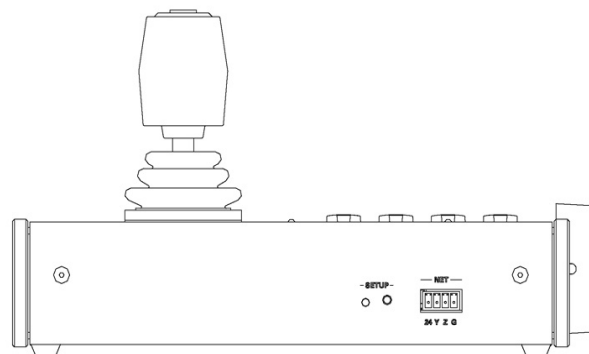
Top



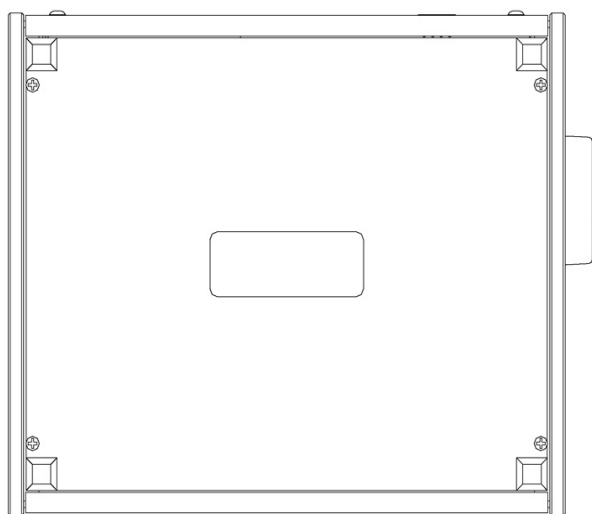
Side



Back



Bottom



3/4 View

